

ART 22

DZR Fixed Orifice Double Regulating Valve (FODRV)



Features

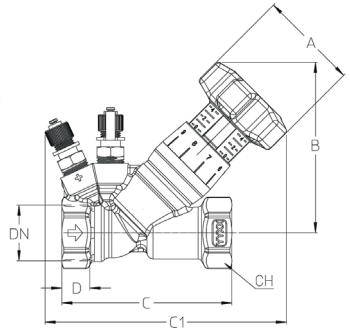
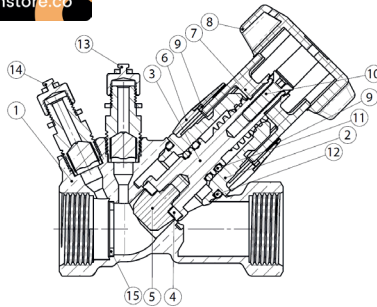
- BSP Parallel (ISO 228/1)
- Handwheel with shut off function and clear 360° reading
- Digital scale with memory lock pre-set function via 3mm Allen key
- Fixed orifice with $\pm 5\%$ flow measurement accuracy
- Conforms to BS 5154 / BS 7350
- Tested in accordance to BS EN 12266-1
- Available with press ends - See ART 22 PRS datasheet for more details
- 5 year warranty



Technical data

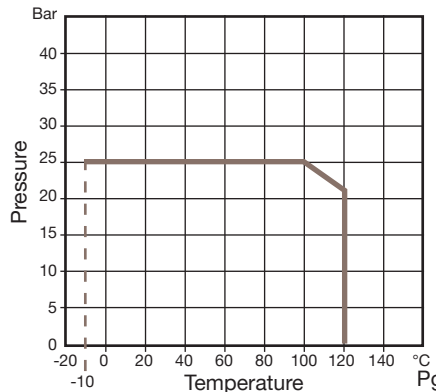
Max pressure:
25 Bar

Working temp:
-10°C to +120°C



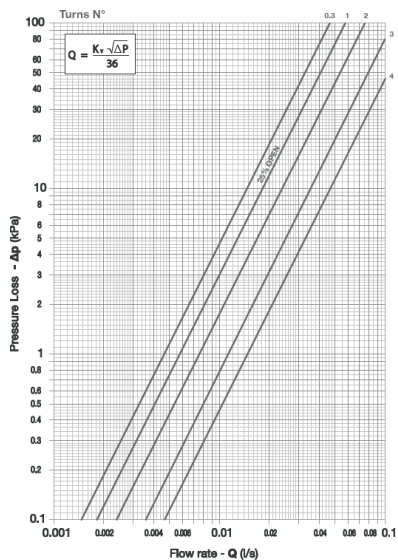
DN	1/2" L	1/2" ML	1/2"	3/4"	1"	1 1/4"	1 1/2"	2"
A	50	50	50	50	50	50	50	50
B	83	83	83	82	84	87	107	103
C	72.5	72.5	72.5	82	95	122	138	161
C1	113	113	113	116.5	130	131	149	164
D	12.5	12.5	12.5	12.5	14.5	16	16	16
CH	25	25	25	31	38	47	55	66
Kvs	0.6	1.1	2.3	5.3	9.2	19.0	22.1	42.3
Kgs	0.38	0.38	0.38	0.43	0.52	0.86	1.34	1.47

N.	Part Name	Materials
1	Body	DZR Brass CW602N-M
2	Bonnet	DZR Brass CW602N-M
3	Stem for shutter	DZR Brass CW602N-M
4	Shutter Gasket	EPDM
5	Disc	DZR Brass CW602N-M
6	Fixed Index	POM
7	Entrainer	Nylon 6
8	Knob	Nylon 6
9	Tenth Turn Index	POM
10	Memory Screw	Steel
11	Stem O-Ring	EPDM
12	Bonnet O-Ring	EPDM
13	Outlet Binder Point	Brass
14	Inlet Binder Point	Brass
15	Fixed Orifice	DZR Brass CW602N-M



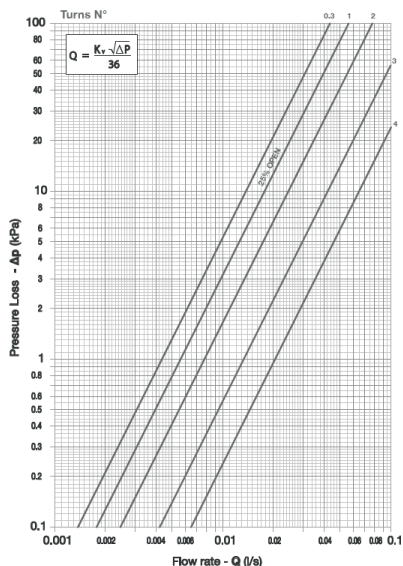
ART 22

DZR Fixed Orifice Double Regulating Valve (FODRV)



DN15L

Full turns	Kv (Flow rate in m ³ /h @ 1 bar pressure drop)									
	Tenths of a turn									
	0.0	0.1	0.2	0.3	0.4	0.5	0.6	0.7	0.8	0.9
0	-	-	-	0.165	0.173	0.180	0.186	0.191	0.196	0.200
1	0.204	0.209	0.213	0.218	0.223	0.229	0.236	0.243	0.251	0.260
2	0.270	0.281	0.293	0.305	0.318	0.332	0.347	0.362	0.378	0.394
3	0.410	0.426	0.442	0.457	0.472	0.486	0.499	0.510	0.520	0.528
4	0.533									

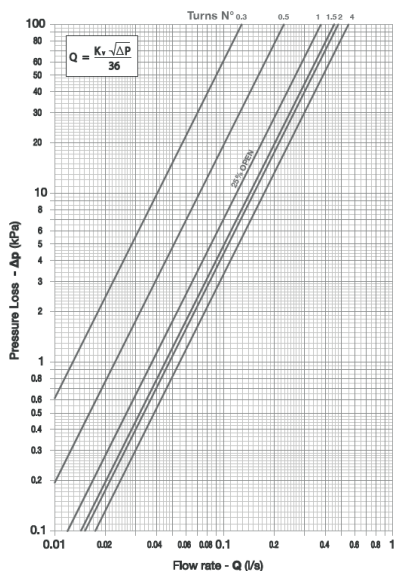


DN15ML

Full turns	Kv (Flow rate in m ³ /h @ 1 bar pressure drop)									
	Tenths of a turn									
	0.0	0.1	0.2	0.3	0.4	0.5	0.6	0.7	0.8	0.9
0	-	-	-	0.154	0.166	0.175	0.183	0.189	0.193	0.198
1	0.201	0.205	0.209	0.213	0.219	0.225	0.232	0.240	0.250	0.261
2	0.274	0.288	0.304	0.322	0.341	0.362	0.384	0.407	0.432	0.458
3	0.484	0.512	0.539	0.567	0.595	0.622	0.648	0.673	0.697	0.718
4	0.738									

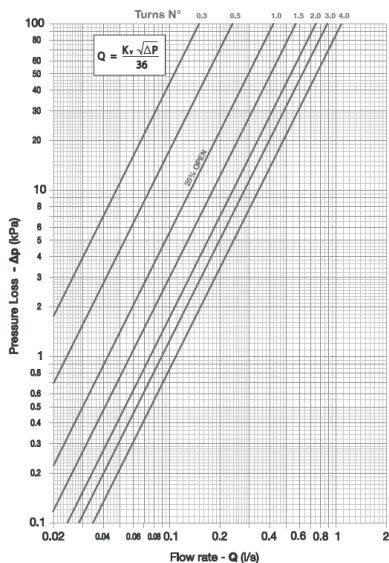
ART 22

DZR Fixed Orifice Double Regulating Valve (FODRV)



DN15

Full turns	Kv (Flow rate in m ³ /h @ 1 bar pressure drop)									
	Tenths of a turn									
	0.0	0.1	0.2	0.3	0.4	0.5	0.6	0.7	0.8	0.9
0	-	-	-	0.47	0.68	0.83	0.98	1.10	1.20	1.29
1	1.37	1.44	1.50	1.55	1.61	1.64	1.67	1.69	1.71	1.72
2	1.73	1.74	1.74	1.76	1.78	1.81	1.84	1.86	1.88	1.89
3	1.90	1.92	1.93	1.95	1.97	1.98	1.98	1.99	2.00	2.00
4	2.00									

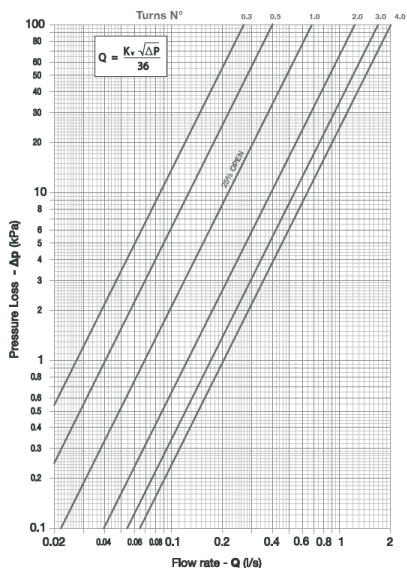


DN20

Full turns	Kv (Flow rate in m ³ /h @ 1 bar pressure drop)									
	Tenths of a turn									
	0.0	0.1	0.2	0.3	0.4	0.5	0.6	0.7	0.8	0.9
0	-	-	-	0.54	0.73	0.89	1.04	1.16	1.30	1.42
1	1.54	1.64	1.74	1.84	1.93	2.03	2.10	2.17	2.26	2.31
2	2.37	2.42	2.48	2.53	2.58	2.63	2.71	2.82	2.96	3.04
3	3.17	3.31	3.44	3.54	3.64	3.70	3.76	3.80	3.82	3.83
4	3.88									

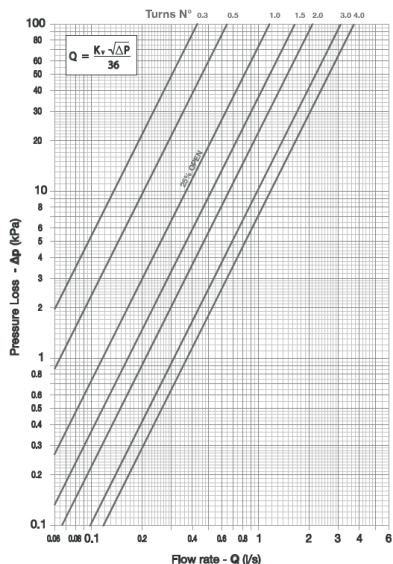
ART 22

DZR Fixed Orifice Double Regulating Valve (FODRV)



DN25

Full turns	Kv (Flow rate in m³/h @ 1 bar pressure drop)									
	0.0	0.1	0.2	0.3	0.4	0.5	0.6	0.7	0.8	0.9
0	-	-	-	0.96	1.21	1.45	1.65	1.84	2.04	2.25
1	2.46	2.66	2.87	3.09	3.32	3.54	3.74	3.91	4.10	4.24
2	4.43	4.59	4.78	4.98	5.17	5.34	5.51	5.67	5.82	5.98
3	6.09	6.24	6.38	6.51	6.65	6.79	6.89	6.99	7.08	7.19
4	7.28									

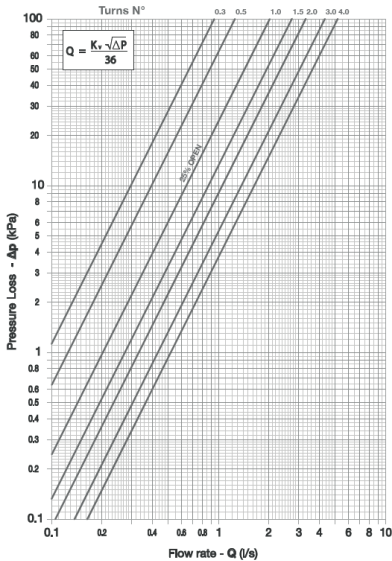


DN32

Full turns	Kv (Flow rate in m³/h @ 1 bar pressure drop)									
	0.0	0.1	0.2	0.3	0.4	0.5	0.6	0.7	0.8	0.9
0	-	-	-	1.56	1.96	2.34	2.68	3.04	3.40	3.80
1	4.15	4.51	4.85	5.18	5.55	5.89	6.21	6.52	6.91	7.21
2	7.56	7.86	8.17	8.50	8.92	9.30	9.68	10.06	10.42	10.89
3	11.27	11.62	11.98	12.37	12.70	12.93	13.06	13.19	13.27	13.33
4	13.39									

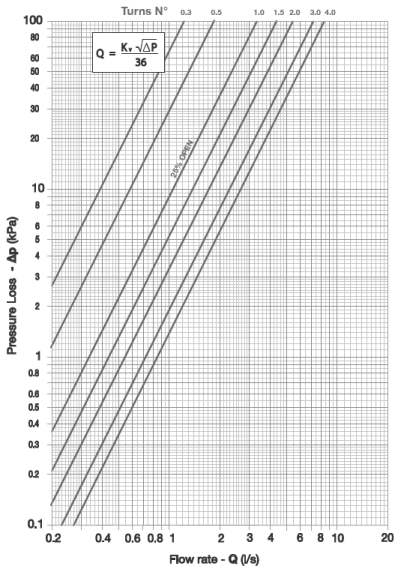
ART 22

DZR Fixed Orifice Double Regulating Valve (FODRV)



DN40

Kv (Flow rate in m ³ /h @ 1 bar pressure drop)										
Full turns	Tenths of a turn									
	0.0	0.1	0.2	0.3	0.4	0.5	0.6	0.7	0.8	0.9
0	-	-	-	3.37	4.08	4.51	5.12	5.60	6.16	6.78
1	7.32	7.90	8.43	9.00	9.53	9.88	10.30	10.73	11.16	11.63
2	11.97	12.36	12.78	13.19	13.53	13.92	14.28	14.57	15.01	15.35
3	15.69	16.01	16.43	16.71	17.02	17.24	17.52	17.85	18.10	18.27
4	18.69									



DN50

Kv (Flow rate in m ³ /h @ 1 bar pressure drop)										
Full turns	Tenths of a turn									
	0.0	0.1	0.2	0.3	0.4	0.5	0.6	0.7	0.8	0.9
0	-	-	-	4.39	5.65	6.72	8.07	8.97	10.04	11.06
1	11.77	12.62	13.51	14.28	15.05	15.73	16.25	17.14	18.06	18.81
2	19.44	20.10	21.04	21.81	22.53	23.12	23.88	24.28	24.75	25.36
3	26.06	26.48	26.91	27.24	27.66	28.10	28.44	28.80	29.17	29.76
4	30.10									