

Pressed branch saddle without gasket

SP



Description

Pressed galvanized sheet saddles without gaskets are universal components for fabricating straight T-pieces and X-pieces.



The female-ended version is available on request (Code: SPF).

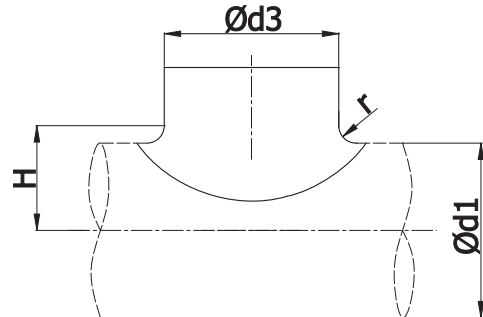
Available materials - Product code example
SP-... -... - galvanized steel sheet

Product code example

Product code: **SP - aaa - bbb**

type _____
 $\text{\O}d_1$ _____
 $\text{\O}d_3$ _____

Dimensions



$\text{\O}d_{1\text{nom}} - \text{\O}d_{3\text{nom}}$ [mm]	diameter range for $\text{\O}d_{\text{nom}}$ [mm]	r [mm]	H [mm]	Weight [kg]
80-80		10	50	0.1
100-80	100 - 112	10	60	0.1
125-80	112 - 125 - 140	10	72	0.1
160-80	150 - 160	10	90	0.1
200-80	180 - 200	10	110	0.1
250-80	224 - 250 - 280 300 - 315	10	135	0.1
100-100		12	62	0.2
125-100	112 - 125 - 140	12	74	0.2
160-100	150 - 160	12	92	0.2
200-100	180 - 200	12	112	0.2
250-100	224 - 250	12	137	0.2
315-100	280 - 300 - 315 - 355	12	169	0.2
500-100	400 - 450 - 500 - 560	12	262	0.2
125-125		12	74	0.3
160-125	140 - 150 - 160	12	92	0.3
200-125	180 - 200	12	112	0.3
250-125	224 - 250	12	137	0.2
315-125	280 - 300 - 315 - 355	12	169	0.2
500-125	400 - 450 - 500 - 560	12	262	0.3
200-150	180 - 200	12	112	0.3
250-150	224 - 250	12	137	0.3
315-150	280 - 300 - 315 - 355	12	169	0.3
160-160		16	96	0.4
200-160	180 - 200	16	116	0.4
250-160	224 - 250	16	141	0.4
315-160	280 - 300 - 315	16	173	0.3
400-160	355 - 400	16	216	0.3

Pressed branch saddle without gasket

SP

Dimensions

$\varnothing d_{1, nom} - \varnothing d_{3, nom}$ [mm]	diameter range for $\varnothing d_{, nom}$ [mm]	r [mm]	H [mm]	Weight [kg]
200-200		20	120	0.5
250-200	224 - 250	20	145	0.5
315-200	280 - 300 - 315	20	177	0.5
400-200	355 - 400	20	220	0.5
250 - 250		20	145	0.7
315-250	280 - 300 - 315	20	177	0.7
400-250	355 - 400	20	220	0.7
315-315		20	177	0.7
355-315	315 - 355 - 400	20	197	0.7
400-315	355 - 400 - 450	20	220	0.8